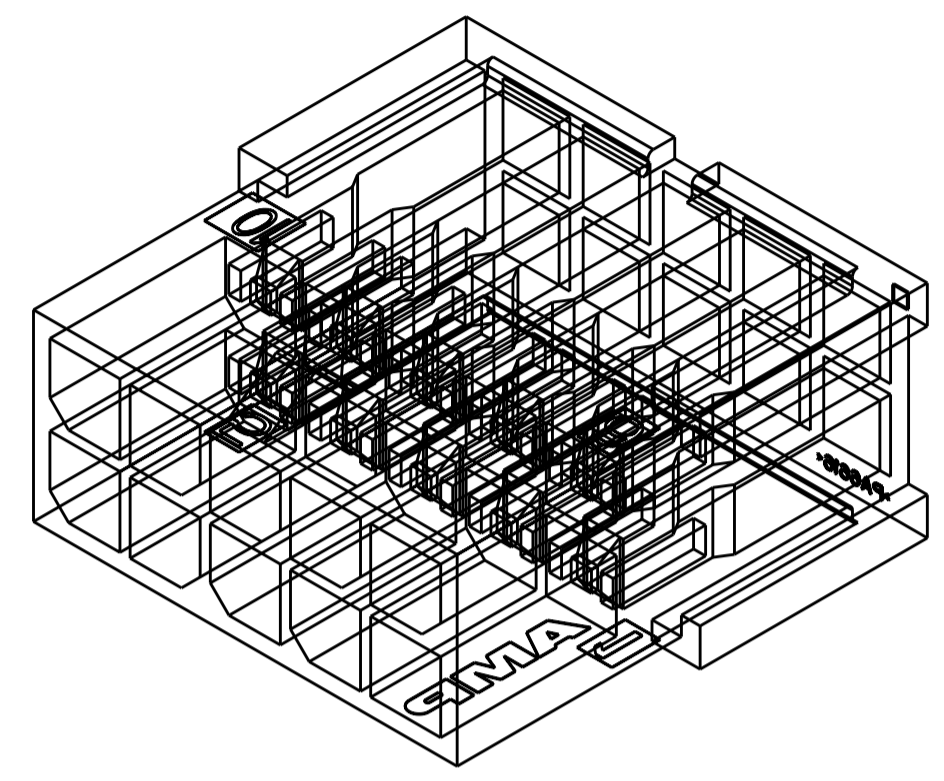
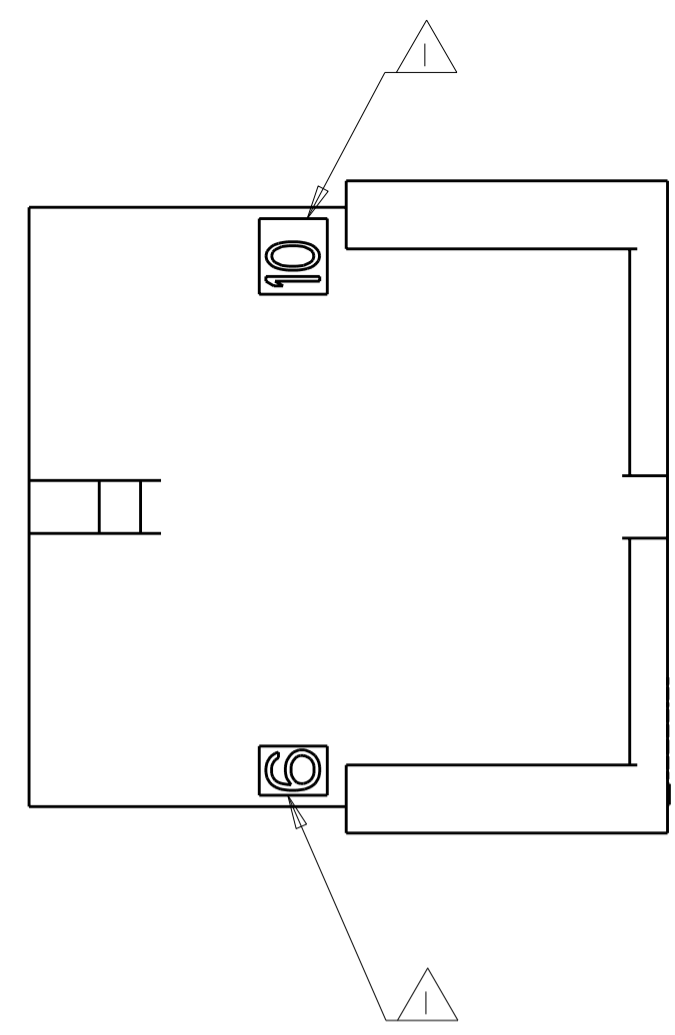
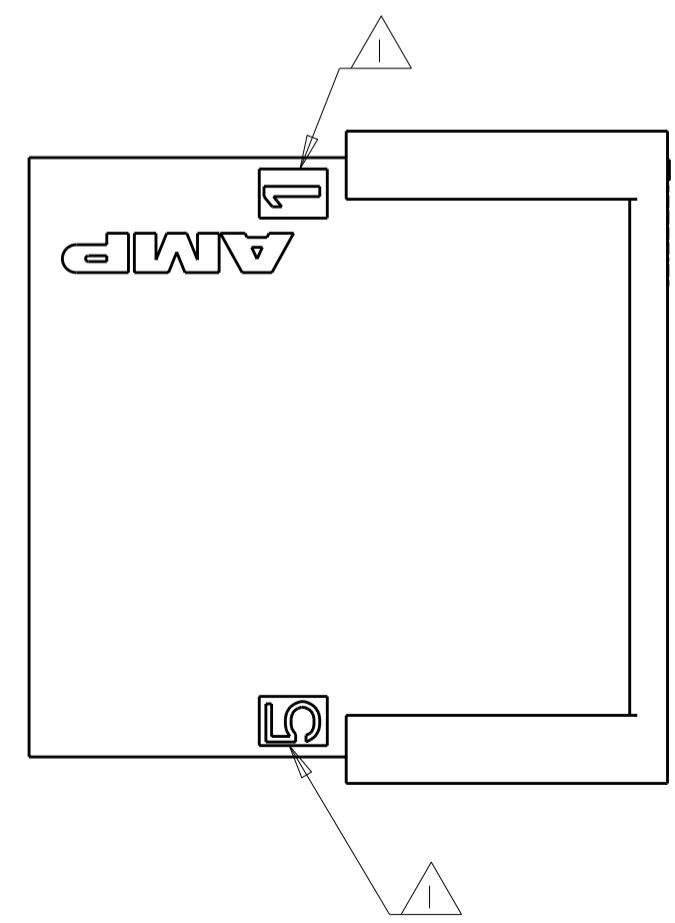
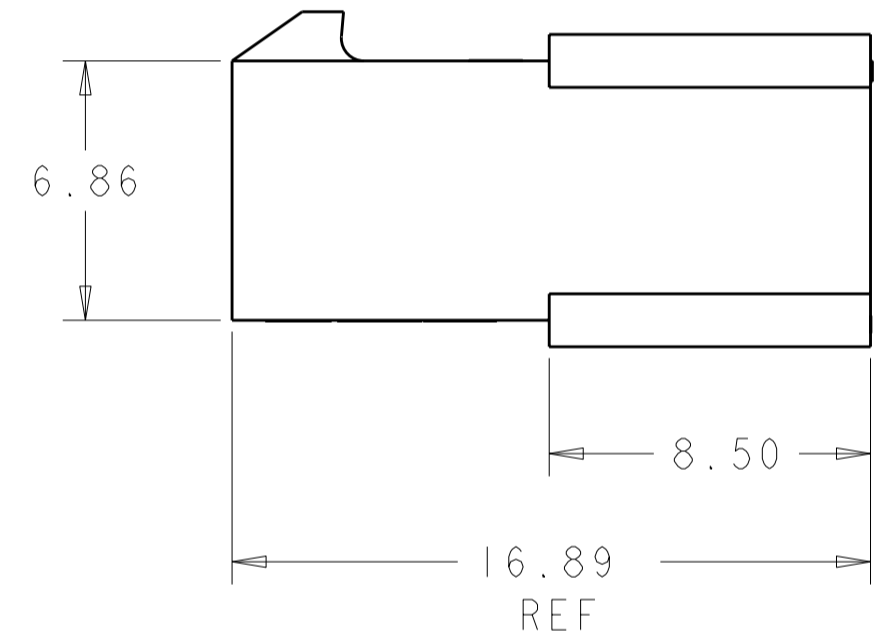
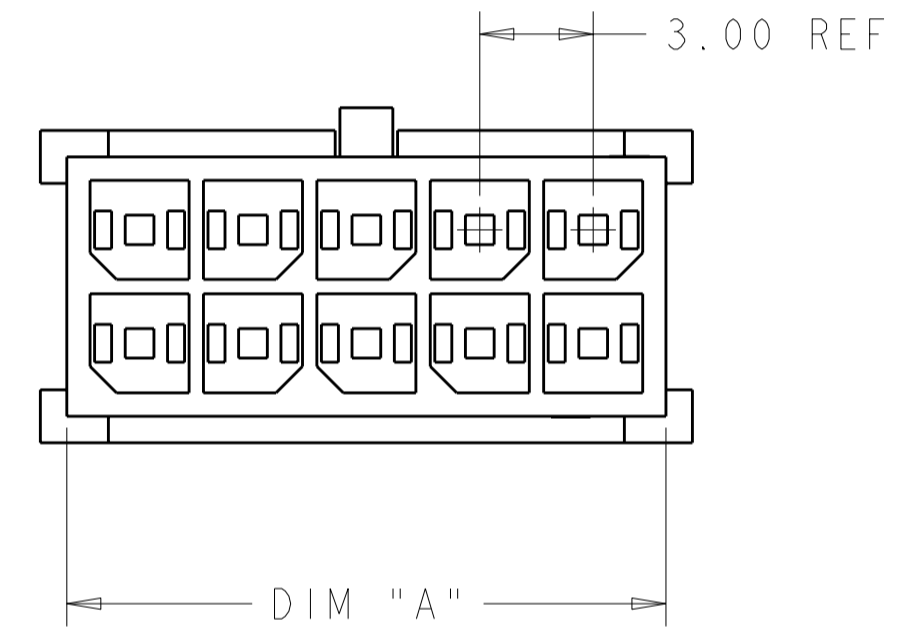


THIS DRAWING IS UNPUBLISHED. RELEASED FOR PUBLICATION 20
 © COPYRIGHT 20 BY - ALL RIGHTS RESERVED.

| LOC | DIST | REVISIONS | | | | | |
|-----|------|-----------|-----|---------------------------|-----------|-----|------|
| CM | 00 | P | LTR | DESCRIPTION | DATE | DWN | APVD |
| | | P | | REVISED PER ECO-11-005027 | 14MAR2011 | RK | HMR |



SCALE 5:1



△ CIRCUIT IDENTIFIERS LOCATED APPROXIMATELY AS SHOWN.

| 36.85 | 24 | 2-794616-4 |
|-------|-------------|-------------|
| 33.85 | 22 | 2-794616-2 |
| 30.85 | 20 | 2-794616-0 |
| 27.85 | 18 | 1-794616-8 |
| 24.85 | 16 | 1-794616-6 |
| 21.85 | 14 | 1-794616-4 |
| 18.85 | 12 | 1-794616-2 |
| 15.85 | 10 | 1-794616-0 |
| 12.85 | 8 | 794616-8 |
| 9.85 | 6 | 794616-6 |
| 6.85 | 4 | 794616-4 |
| 3.85 | 2 | 794616-2 |
| DIM A | NO. OF POS. | PART NUMBER |



THIS DRAWING IS A CONTROLLED DOCUMENT.

| | | |
|------|----------|-----------|
| DWN | W J RUDY | 29AUG2000 |
| CHK | W DAVIS | 29AUG2000 |
| APVD | W DAVIS | 29AUG2000 |

TE Connectivity

NAME: PLUG HOUSING, 2 TO 24 POSITION DUAL ROW, FREE HANGING, MICRO MATE-N-LOK(TM)

SIZE: A2 CAGE CODE: 00779 DRAWING NO: 794616 RESTRICTED TO: -

MATERIAL: NYLON, UL94V-0 BLACK

WEIGHT: -

CUSTOMER DRAWING

SCALE: 5:1 SHEET 1 OF 1 REV P