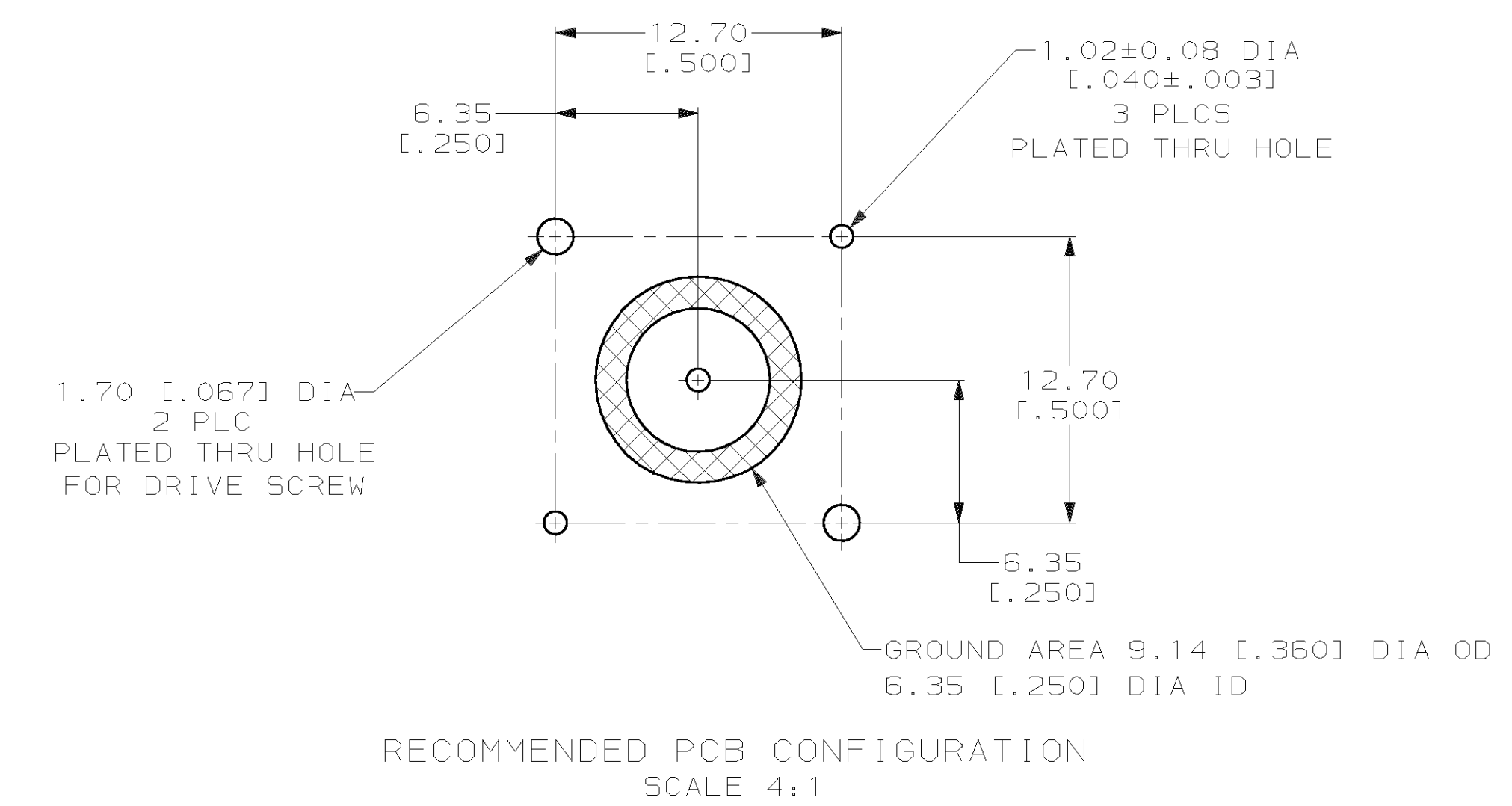
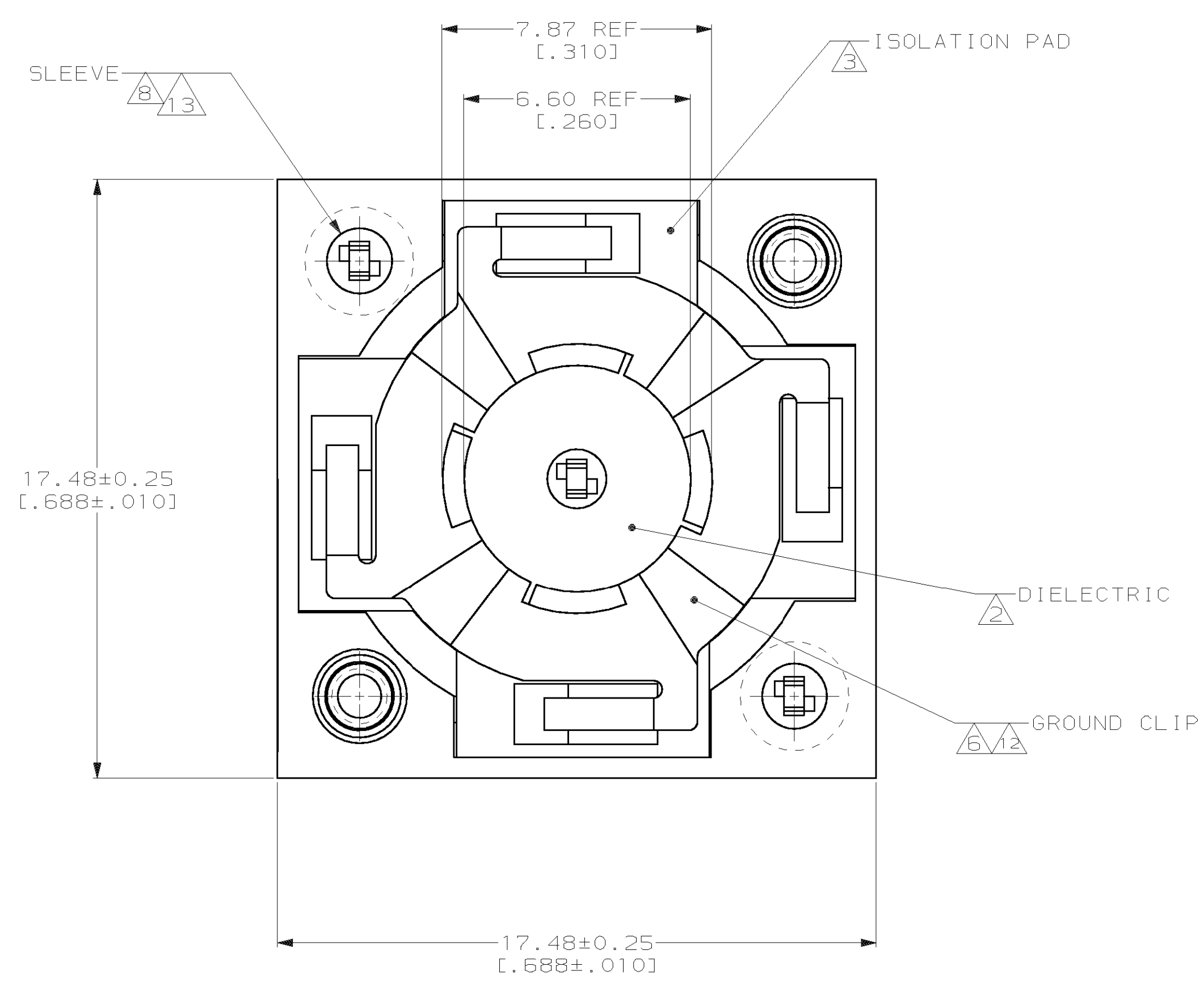
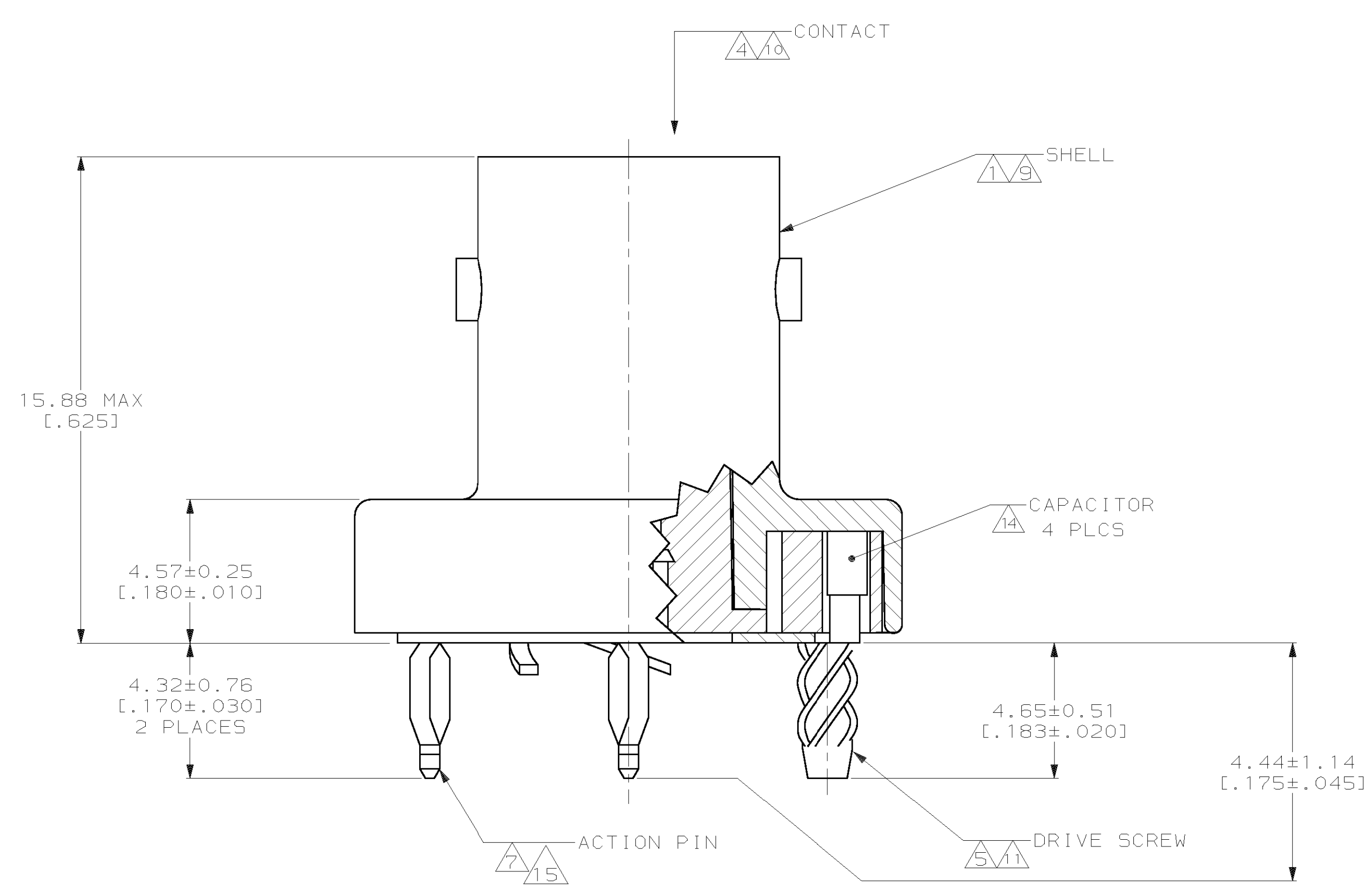


REVOLUTIONS		REVISIONS		DATE	APPD
LOC	DIST	REV	DESCRIPTION		
AJ	16	P	H	REV PER OU20-0223-00	28JUN00 MO



- 1 ZINC PER QQ-Z-363.
- 2 PTFE PER MIL-P-19468.
- 3 POLYESTER PER MIL-P-24519.
- 4 BERYLLIUM COPPER PER QQ-C-530.
- 5 STAINLESS STEEL PER ASTM-A-582.
- 6 PHOSPHOR BRONZE PER ASTM-B-103.
- 7 COPPER NICKEL ALLOY PER ASTM-B-122.
- 8 BRASS PER QQ-B-626.
- 9 NICKEL PLATE PER QQ-N-290 5.08µm [L.000150] MINIMUM THICK.
- 10 GOLD PLATE PER MIL-G-45204 0.76µm [L.000050] MINIMUM THICK.
- 11 PASSIVATE PER QQ-P-35.
- 12 NICKEL PLATE PER QQ-N-290 0.76µm [L.000030] MINIMUM THICK.
- 13 TIN-LEAD PLATE PER ASTM-B-545, 2.54µm [L.000100] MINIMUM THICK.
- 14 ELECTRICAL CHARACTERISTICS:
 A. CAPACITANCE 10800 pF
 B. DIELECTRIC WITHSTANDING VOLTAGE 1000 VDC
- 15 GOLD PLATE PER MIL-G-45204

DO NOT SCALE PRINT. UNLESS SPECIFIED DIMENSIONS IN mm [INCHES] TOLERANCES ON: 2 PLC DEC ± 0.05 [L.002] 3 PLC DEC ± - ANGLES ± -		DR 3-25-93 J. LIPPERT	AMP AMP Incorporated Harrisburg, PA 17105-3508		
CHK 4-8-93 A. GABANY	APPD 4-8-93 A. GABANY	NAME JACK, DECOUPLER, PCB, ACTION PIN, 50Ω, BNC			
SEE NOTES 1 THRU 8	APPD 4-8-93 J. LIPPERT	PRODUCT SPEC -	SIZE D	CAGE CODE 00779	DRAWING NO 414553
FINISH SEE NOTES 9 THRU 13	APPLICATION SPEC -	WEIGHT -	SCALE 8:1	SHEET 1 OF 1	